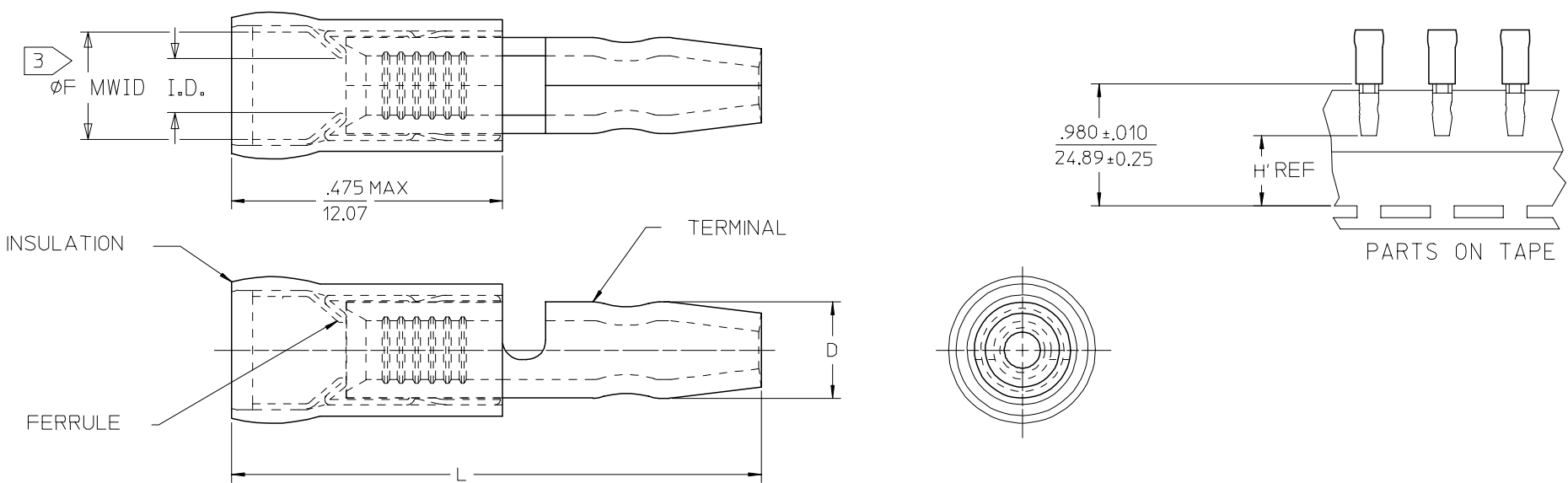


	10	9	8	7	6	5	4	3	2	19036			
	MATERIAL NUMBER LOOSE PCS	ENGINEERING NUMBER LOOSE PCS	MATERIAL NUMBER ON TAPE	ENGINEERING NUMBER ON TAPE	MATERIAL NUMBER ON BIG REEL	ENGINEERING NUMBER ON BIG REEL	WIRE RANGE AWG	INSULATION COLOR	I.D. MIN	ϕF MWID	ϕD ±.002/0.05	L ±.024/0.61	H REF
F	190360001	A-859	190360002	A-859T			22-18	RED	.056/1.42	.140/3.56	.180/4.57	.995/24.26	.495/12.57
	190360003	A-869	190360005	A-869T	190360004	A-869BT	22-18	RED	.056/1.42	.140/3.56	.156/3.96	.901/22.89	.555/14.10
	190360006	B-879	190360007	B-879T			16-14	BLUE	.084/2.13	.170/4.32	.180/4.57	.966/24.54	.495/12.57
	190360008	B-889	190360009	B-889T			16-14	BLUE	.084/2.13	.170/4.32	.156/3.96	.901/22.89	.555/14.10



NOTES:
 1. MATERIAL: TERMINAL: COPPER .031 REF/(0.79) REF TH
 FINISH: ELECTRO-TIN PLATING.
 FERRULE: BRASS
 FINISH: ELECTRO-TIN PLATING
 INSULATION: NYLON 94V2
 COLOR SEE CHART

SALES DRAWING

- 2. FOR WIRE RANGE SEE CHART.
- 3. MAX WIRE INSULATION DIAMETER.

WAS: CD8803 AND CD8804

EC NO: ETC2005-0776
 DRW: BENDERLE 2005/04/11
 CHKDR: DEROSS 2005/04/12
 APPR: DEROSS 2005/04/12

QUALITY SYMBOLS	DESCRIPTION
$\nabla=0$	
$\nabla=0$	

	GENERAL TOLERANCES (UNLESS SPECIFIED)	
	mm	INCH
4 PLACES	± ---	± ---
3 PLACES	± ---	± ---
2 PLACES	± ---	± ---
1 PLACE	± ---	± ---
ANGULAR ±1/2°		

DIMENSION STYLE	
IN/MM	
DRAWN BY	DATE
BENDERLE	2005/04/04
CHECKED BY	DATE
R DEROSS	2005/04/04
APPROVED BY	DATE
R DEROSS	2005/04/04

SCALE	DESIGN UNITS	THIRD ANGLE PROJECTION
6:1	INCH	
AVIKRIMP MALE BULLET SNAP PLUG		
MOLEX INCORPORATED		
MATERIAL NO.	DOCUMENT NO.	SHEET NO.
SEE CHART	SD-19036-001	1 OF 1